

COLECTIVA

By I+D+i Actiu



**COLEC
TIVA**

Colectiva is a program of desks to meet the demands of the current work spaces, a contemporary aesthetic with a simple layouts with rectangular lines, easy assembly and an elegant design.

A collection capable to provide multiple furnishing solutions adaptable to all the different needs of the workplace, home office and sectors such as education.



ACTIU

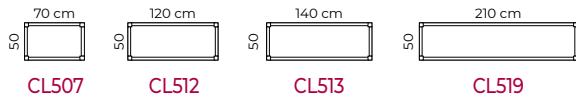
www.actiu.com

Design goes beyond aesthetics: innovation, space and furniture go hand in hand to create environments that are friendlier, more comfortable and more motivating for people: environments that are more dynamic, fresh, creative, ergonomic and functional.

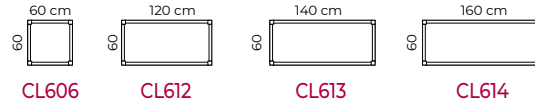
A business philosophy in which design is part of our DNA, as we apply it to every facet of the company: products, architecture, projects, brand, communication, work spaces ...

RECTANGULAR DESKS

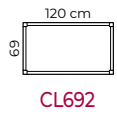
50 cm wide



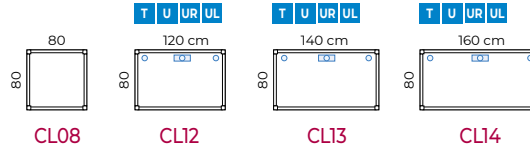
60 cm wide



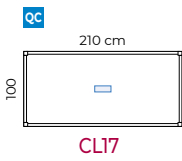
69 cm wide



80 cm wide

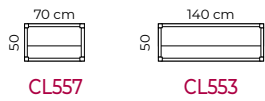


EXECUTIVE AND MEETING DESKS

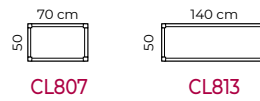


TRAINING TABLES

Tables with shelf and modesty panel - 74 cm Height

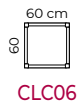


Kids training tables - 65 cm Height



COFFEE TABLES

40 cm Height



Rectangular and meeting desks and coffee tables



Technical Profile

- 1 35 x 20 mm beams with e=1,5 mm thickness and silver coating available.
- 2 40 x 40 mm legs with e=1,5 mm thickness and silver coating available.
- 3 Attachment brackets made from injected aluminum.
- 4 PP levellers with anti-skid pad.
- 5 Accessories anchored to the table top.
- 6 Cable trays for single desks 80 cm width, fixed to the table top.
- 7 Surfaces in different colours and finishes.

Training tables with shelf and modesty panel



Technical Profile

- 1 35 x 20 mm beams with e=1,5 mm thickness and silver coating available.
- 2 40 x 40 mm legs with e=1,5 mm thickness and silver coating available.
- 3 Attachment brackets made from injected aluminum.
- 4 PP levellers with anti-skid pad.
- 5 Modesty panel anchored to the structure, 19 mm particle board with melamine surfaces and PVC edge.
- 6 Shel anchored to the modesty panel, 16 mm particle board with melamine surfaces and PVC edge.
- 7 Surfaces in different colours and finishes.

Kids training tables



Technical Profile

- 1 35 x 20 mm beams with e=1,5 mm thickness and silver coating available.
- 2 40 x 40 mm legs with e=1,5 mm thickness and silver coating available.
- 3 Attachment brackets made from injected aluminum.
- 4 PP levellers with anti-skid pad.
- 5 Surfaces in different colours and finishes.

Frame

40 x 40 mm legs with e=1,5 mm and 35 x 20 mm beams with e=1,5 mm thickness, silver coating available.



White

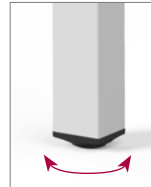
Lime Oak White

Light Oak White

Black

Supports

Legs are available with levellers.
 Anti-skid moulded aluminium leveler
 Black, 65 mm diameter castors. 2 with brake and 2 without brake.



Levellers
Height total: 74 cm.



Castors
Height total: 74 cm.



Easy assembly system

Frame is equipped with all the components necessary for a quick assembling process. The assembling system is rapid and easy, using minimal fittings and can therefore be easily re-assembled in a new work space if required.

Modesty panel and melamine shelf

19 mm melamine skirt included on models with modesty panel and 16 mm melamine shelf of the same colour (only models with skirt and shelf).



Electrification system (80 cm width)

An intelligent cable management system providing a clever solution for cabling. Massive polystyrene cable tray included to drive cables underneath the desks, with easy access from the top by flip-back section.

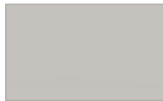
FINISH OFFER

Melamine

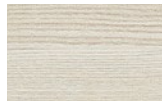
Coated melamine of 90 and 120 grs/m2, on a table top of elaborated particles, PEFC certified 25 mm thick. edges 2mm thick, applied with hot glue and rounded at R = 2 mm. With high durability and 100 % recyclable.



00 WHITE



15 COCO GREY



11 ACACIA



10 LIGHT OAK

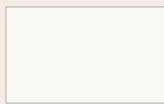


03 BLACK ANTI-FINGERPRINT

Optional for projects

HPL

For Projects that require surfaces in White HPL, consult **SALES DEPARTMENT.**



20 WHITE

High Pressure coated laminate on 25 mm thickness chipboard. edges 2 mm thick, applied with hot glue and rounded at R = 2 mm. It is highly resistant to abrasion, scratch and impact and cleans easily.



Materials

Maximum use of materials to eliminate and minimize scraps. Use of recyclable and recycled materials in those components that do not affect the functionality and durability.

51,93%
RECYCLED
MATERIALS



Production

Maximum optimization of energy use. Minimal environmental impact. Last generation technological systems. Zero discharge of wastewater. No VOC coatings. Processes free of heavy metals, phosphates, OC and COD.

100%
RECYCLABLE
ALUMINIUM, STEEL &
WOOD



Transport

Detachable systems. Volumes that facilitate the optimization of space. Maximum reduction of energy consumption by transport.

100%
RECYCLABLE
PACKAGE AND
THINNER
FREE



Use

Quality and warranty. Long lasting. Replacements available.

EASY
PACKAGE AND THINNER
FREE



Disposal

Waste reduction. Supplier-manufacturer packaging reuse system. Components are easy to be separated. Inks in packaging are water-based, without solvents.




98,26%
RECYCLED
MATERIALS

Certificates

The different programmes get points in different environmental categories to get the LEED certificate or WELL certificate (sustainability, material and resources, water, energy and atmosphere, inner environment quality, innovation and design).

<p>FSC www.fsc.org FSC® C106678</p>	<p>FORMALDEHYDE ZERO FSC Title VI Compliant</p>	<p>AENOR Ecodiseño ED-0111/2010</p>	<p>AENOR ER Empresa Registrada EN-04997/2007</p>	<p>AENOR ER Gestión Ambiental GA-2003/0202</p>	<p>U.S. GREEN BUILDING COUNCIL LEED PLATINUM USGBC</p>	<p>WELL WELL-BUILDING</p>
<p>The mark of responsible forestry</p>	<p>California 93120 Compliant Formaldehyde Phase 2</p>	<p>EN ISO 14006:2011 ECODESIGN Certificate</p>	<p>UNE-EN ISO 9001:2008 ISO 9001 Certificate</p>	<p>UNE-EN ISO 14001:2004 ISO 14001 Certificate</p>	<p>ACTIU TECHNOLOGY PARK LEED® PLATINUM certified by USGBC Leadership in Energy & Environmental Design</p>	<p>Health & Wellbeing of people through the space</p>

Cable Access Desks

T Wiring Access	Q Wiring Access	U Wiring Access
		
Maximum opening: 90°	Maximum opening: 110°	
<ul style="list-style-type: none"> -ABS injected lid -Frame injected in ABS -Injection-moulded polyamide clamping clips PA -Black bristle brush with zinc-plated plate profile -Polyamide guides for adjustment according to the thickness of the surface between 13 and 30 mm -Dimensions: 25 x 11,7 cm 	<ul style="list-style-type: none"> -Black die-cast aluminium frame -Die-cast aluminium lid -Aluminium guides for adjustment according to the thickness of the surface between 13 and 30 mm -Dimensions: 30,5 x 12,1 cm 	<ul style="list-style-type: none"> -80 mm diameter polypropylene cover for wiring to the bottom. -The upper part incorporates a small flange for small cable passage and allows the complete cover to be removed for cable passage. -Dimensions: Ø 8 cm

- Models with this standard cable access has the icon next to the code
- Desk price with the cable access is as per the attached table.
- To order different desks which the electrification access is not standard, please check sales team.
- To order desks with cable access, please add the corresponding letter according to the desired placement, at the end of the reference:

Front centered access	Left hand side	Right hand side	Centered access
T U	UL	UR	QC

Combinations of finishes offered

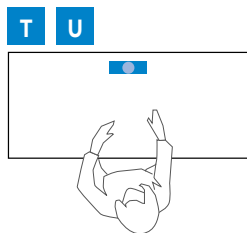
IMPORTANT NOTE: The combination of wired access is carried out in the following way:
(If in any case you want the upper access in different finishing established, the customer must indicate it on the order.)

Combinaciones Superficie/Estructura	T / Q / U - Wiring Access	
	Flip-up door / cover finish	
	White	Black
Surface: White Structure: White / Silver / Black	●	
Surface: Black Structure: White / Silver / Black		●
Surface: Any Finish - (Not White) Structure: White	●	
Surface: Any Finish - (Not White) Structure: Black		●

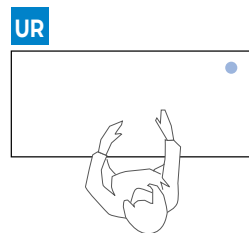
SUPERIOR CABLE ACCESS LOCATION TO CABLING AND CONNECTIONS

RECTANGULAR DESKS - 80 cm WIDE

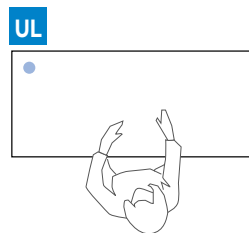
Front access



Right lateral access

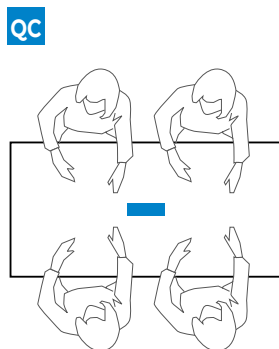


Left lateral access

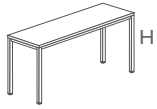


EXECUTIVE AND MEETING DESKS

Centered access



RECTANGULAR DESKS 50 CM WIDE



 Coding required to set reference.
 No increase in cost
 Combination not available.

	CL507 Model Dimensions (A x B) 50 70	CL512 Model Dimensions (A x B) 50 120
	LEVELERS HEIGHT 74 cm CL507F	LEVELERS HEIGHT 74 cm CL512F

Frame/Legs		White	00	•			•		
		Black	08						
		White/Lime oak	01		•			•	
		White/Light oak	20			•			•

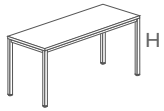
Surface MFC		White	00						
		Coco grey	15						
		Lime oak	11						
		Light oak	10						
		Black anti-fingerprint	03	+ •			+ •		

	CL513 Model Dimensions (A x B) 50 140		CL519 Model Dimensions (A x B) 50 210
	LEVELERS HEIGHT 74 cm CL513F	CASTORS HEIGHT 74 cm CL513J	LEVELERS HEIGHT 74 cm CL519F

Frame/Legs		White	00	•			•		
		Black	08						
		White/Lime oak	01		•			•	
		White/Light oak	20			•			•

Surface MFC		White	00						
		Coco grey	15						
		Lime oak	11						
		Light oak	10						
		Black anti-fingerprint	03	+ •			+ •		

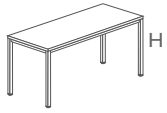
RECTANGULAR DESKS 60 CM WIDE



 Coding required to set reference.
 No increase in cost
 Combination not available.

Model Dimensions (A x B)				CL606 				CL612 			
				LEVELERS HEIGHT 74 cm CL606F				LEVELERS HEIGHT 74 cm CL612F			
Frame/Legs		White	00	•				•			
		Black	08								
		White/Lime oak	01		•				•		
		White/Light oak	20				•				•
Surface MFC		White	00								
		Coco grey	15								
		Lime oak	11								
		Light oak	10								
		Black anti-fingerprint	03	+ •				+ •			
Model Dimensions (A x B)				CL613 				CL614 			
				LEVELERS HEIGHT 74 cm CL613F				LEVELERS HEIGHT 74 cm CL614F			
Frame/Legs		White	00	•				•			
		Black	08								
		White/Lime oak	01		•				•		
		White/Light oak	20				•				•
Surface MFC		White	00								
		Coco grey	15								
		Lime oak	11								
		Light oak	10								
		Black anti-fingerprint	03	+ •				+ •			

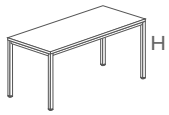
RECTANGULAR DESKS 69 CM WIDE



- Coding required to set reference.
- No increase in cost
- Combination not available.

Model Dimensions (A x B)		CL692		120		
		69				
		LEVELERS HEIGHT 74 cm CL692F			CASTORS HEIGHT 74 cm CL692J	
Frame/Legs		White	00	•		
		Black	08			
		White/Lime oak	01	•		
		White/Light oak	20		•	
Surface MFC		White	00			
		Coco grey	15			
		Lime oak	11			
		Light oak	10			
		Black anti-fingerprint	03	+ •		

RECTANGULAR DESKS 80 CM WIDE



- Coding required to set reference.
- No increase in cost
- Combination not available.
- Optional wiring access

Model Dimensions (A x B)	CL08 	CL12
	LEVELERS HEIGHT 74 cm CL08F	LEVELERS HEIGHT 74 cm CL12F

Frame/Legs		White	00	•			•		
		Black	08						
		White/Lime oak	01		•			•	
		White/Light oak	20				•		•

Surface	MFC		White	00						
			Coco grey	15						
			Lime oak	11						
			Light oak	10						
			Black anti-fingerprint	03	+ •			+ •		

Wiring Access	Optional	MFC	U				+ •	+ •	+ •
			UR				+ •	+ •	+ •
			UL				+ •	+ •	+ •
			T				+ •	+ •	+ •

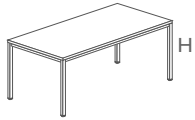
Model Dimensions (A x B)	CL13 	CL14
	LEVELERS HEIGHT 74 cm CL13F	LEVELERS HEIGHT 74 cm CL14F

Frame/Legs		White	00	•			•		
		Black	08						
		White/Lime oak	01		•			•	
		White/Light oak	20				•		•

Surface	MFC		White	00					
			Coco grey	15					
			Lime oak	11					
			Light oak	10					
			Black anti-fingerprint	03	+ •			+ •	

Wiring Access	Optional	MFC	U				+ •	+ •	+ •
			UR	+ •	+ •	+ •	+ •	+ •	+ •
			UL				+ •	+ •	+ •
			T	+ •	+ •	+ •	+ •	+ •	+ •

RECTANGULAR DESKS 100 CM WIDE

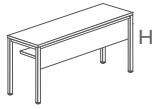


- Coding required to set reference.
- No increase in cost
- Combination not available.
- Optional wiring access

Model Dimensions (A x B)	CL17	210	100		
		LEVELERS HEIGHT 74 cm CL17F			

Frame/Legs		White	00	•			
		Black	08				
		White/Lime oak	01		•		
		White/Light oak	20			•	
Surface	MFC		White	00			
			Coco grey	15			
			Lime oak	11			
			Light oak	10			
			Black anti-fingerprint	03	+ •		
Wiring Access	Optional	MFC	0C	+ •	+ •	+ •	

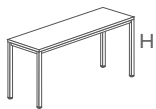
RECTANGULAR DESKS 50 CM WIDE WITH MODESTY PANEL AND SHELF - TRAINING



 Coding required to set reference.
No increase in cost

Model Dimensions (A x B)		CL557	50	70	CL553	50	140
		LEVELERS HEIGHT 74 cm INCLUDING SHELF AND MODESTY PANEL CL557F			LEVELERS HEIGHT 74 cm INCLUDING SHELF AND MODESTY PANEL CL553F		
Frame/Legs		White	00				
		Black	08				
Surface + Modesty panel + Shelf MFC		White	00				
		Coco grey	15				
		Lime oak	11				
		Light oak	10				
		Black anti-fingerprint	03	+ •		+ •	

RECTANGULAR DESKS 50 CM WIDE - 65 cm HEIGHT - TRAINING KIDS



 Coding required to set reference.
No increase in cost

Model Dimensions (A x B)		CL807	50	70	CL813	50	140
		LEVELERS HEIGHT 65 cm CL807F			LEVELERS HEIGHT 65 cm CL813F		
Frame/Legs		White	00				
		Black	08				
Surface MFC		White	00				
		Coco grey	15				
		Lime oak	11				
		Light oak	10				
		Black anti-fingerprint	03	+ •		+ •	

COFFE TABLE 60 CM WIDE - 40 cm HEIGHT



- Coding required to set reference.
- No increase in cost
- Combination not available.

Model Dimensions (A x B)	CLC06	
	LEVELERS HEIGHT 40 cm CLC06F	

Frame/Legs							
		White	00	•			
		Black	08				
		White/Lime oak	01		•		
	White/Light oak	20				•	

Surface	MFC							
			White	00				
			Coco grey	15				
			Lime oak	11				
			Light oak	10				
	Black anti-fingerprint	03	+ •					

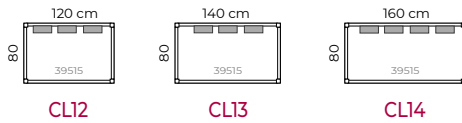
EXPLANATION OF USE OF THE CABLE TRAY

Use of cable tray in individual workstation of 80 cm width:

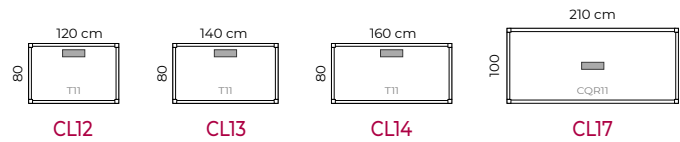
To use the electrification cable tray on individual desks, request the corresponding/desired model, which is listed on the price list.

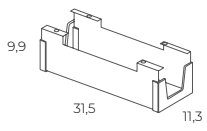


- Desks of 120 cm: Polyestyrene cable try or metallic cable container.
- Desks of 140 cm: Polyestyrene cable try or metallic cable container.
- Desks of 160 cm: Polyestyrene cable try or metallic cable container.
- Desks of 180 cm: Metallic cable container.

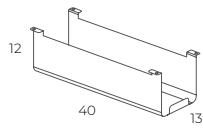


Polyestyrene cable try

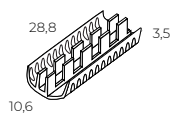





Metallic cables container

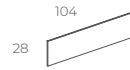
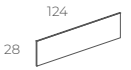




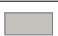





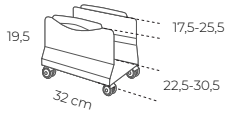


METALLIC WIRING CONTAINER FOR "T" WIRING ACCESS				
Dimensions (A x B x H)				
Metallic Container for Connectivity elements. Use with "T" Wiring access		1 unit TT1	2 units TT2	
Finish		White	0	•
		Black	8	

METALLIC WIRING CONTAINER FOR "Q" WIRING ACCESS				
Dimensions (A x B x H)				
Metallic Container for Connectivity elements. Use with "Q" Wiring access		1 unit CQR11	2 units CQR12	
Finish		White	0	•
		Black	8	

POLIESTYRENE CABLE TRAY				
Dimensions (A x B x H)				
* Top table fixed		Polystyrene telecanal, modular and articable, with easy connection system to make a telecanal in progression. Pack 10 units (3 metres) 39515		
Finish		Silver	•	

MAGNETISED ELECTRIFICATION KIT				
Dimensions (A x B x H)				
* Structure fixed		Magnetised electrification kit Pack 3 units 39615		
Finish		Silver	•	

MODESTY PANELS (Only for individual desks 80 cm wide)				
				
MFC MODESTY PANEL		For 120 cm desk FVR33	For 140 cm desk FVR34	For 160 cm desk FVR35
Brackets		White	0	•
		Black	8	
Surface MFC		White	00	•
		Coco grey	15	
		Lime oak	11	
		Light oak	10	
		Black	08	

CPU HOLDER				
Dimensions (A x B x H)				
		MOBILE CPU HOLDER The mobile CPU Holder can be used on any desking system 39604		
Finish		White	0	•
		Black	8	